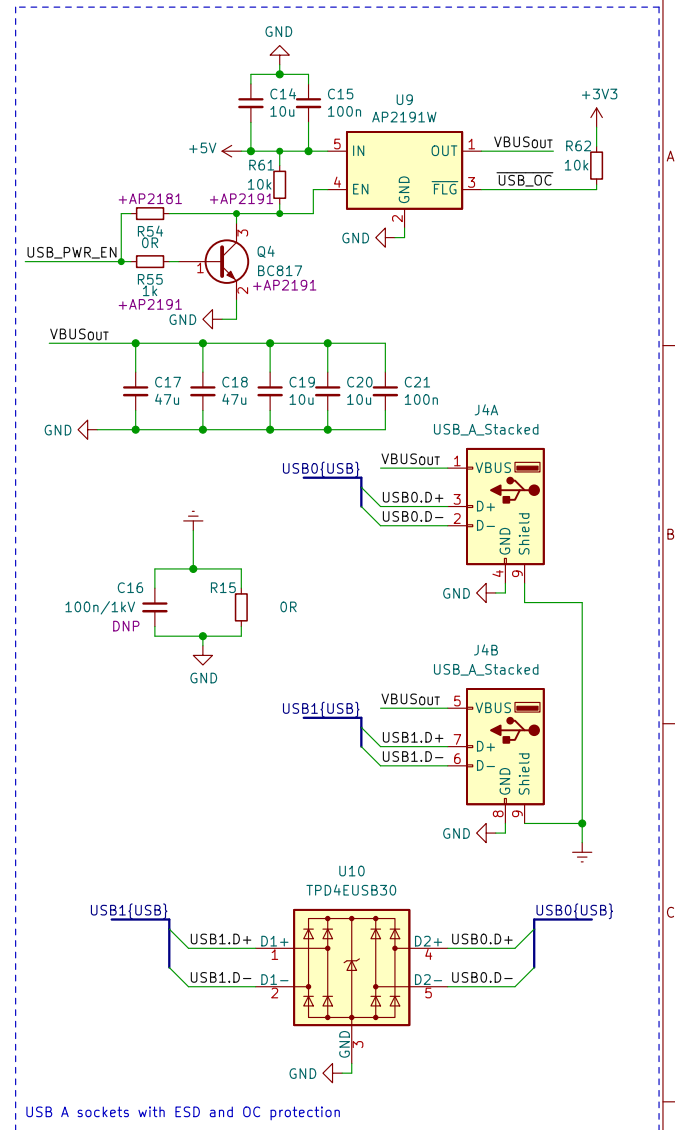
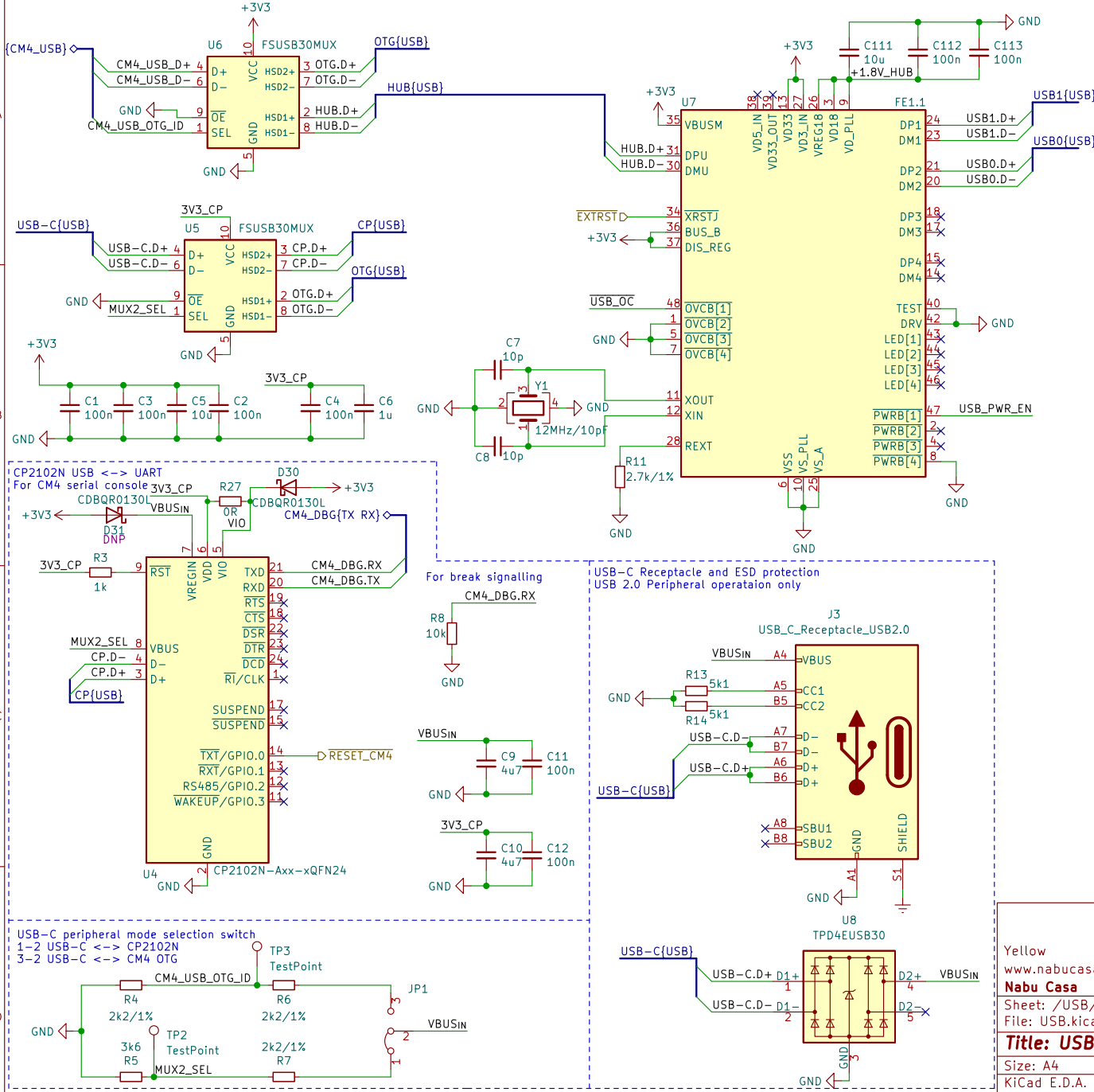
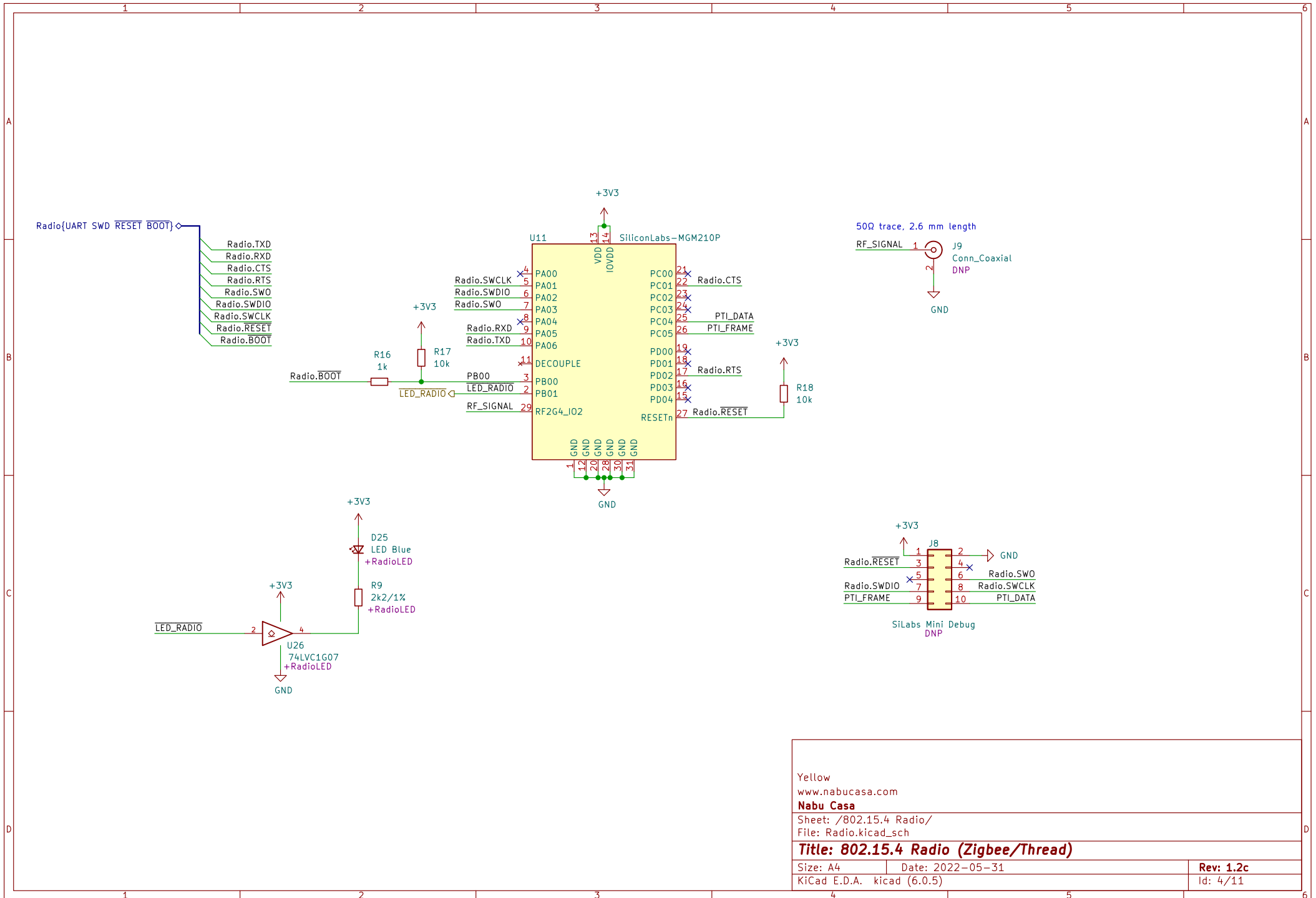


NOTE: Place 10uF cap. close to the pin 26 and 0.1uF close to pin 3, 13.



Yellow  
[www.nabucasa.com](http://www.nabucasa.com)  
**Nabu Casa**  
 Sheet: /USB/  
 File: USB.kicad\_sch  
**Title: USB 2.0 host/USB 2.0 device**  
 Size: A4 Date: 2022-05-31  
 KiCad E.D.A. kicad (6.0.5) Rev: 1.2c  
 Id: 3/11



Yellow  
www.nabucasa.com

**Nabu Casa**

Sheet: /802.15.4 Radio/  
File: Radio.kicad\_sch

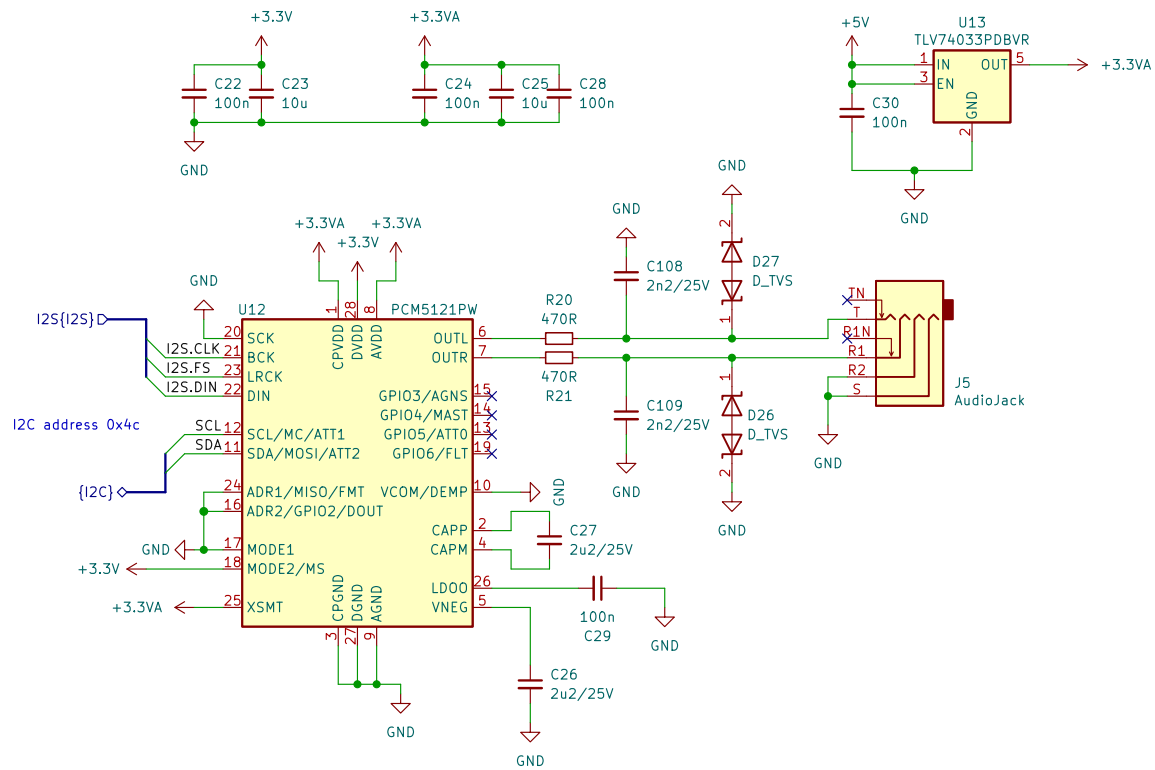
**Title: 802.15.4 Radio (Zigbee/Thread)**

Size: A4 Date: 2022-05-31

Rev: 1.2c

KiCad E.D.A. kicad (6.0.5)

Id: 4/11



Yellow  
[www.nabucasa.com](http://www.nabucasa.com)

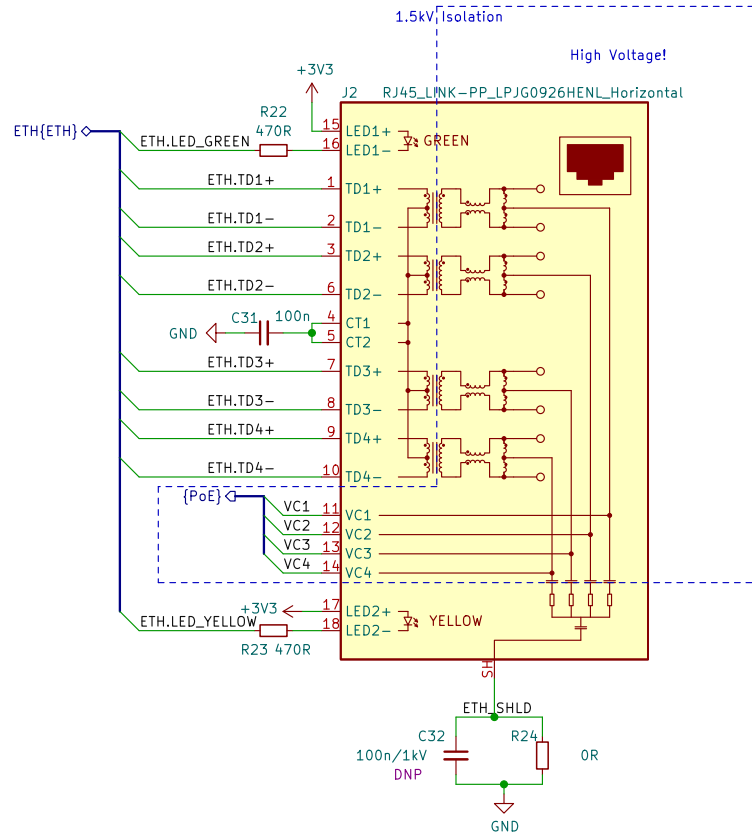
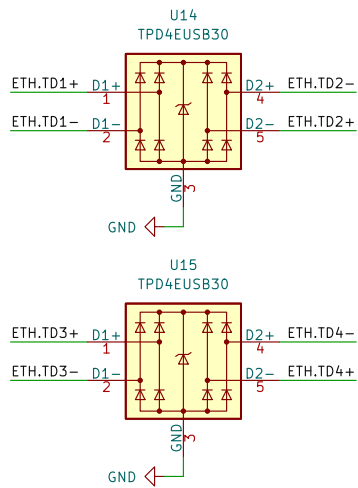
**Nabu Casa**

Sheet: /Audio/  
 File: Audio.kicad\_sch

**Title: Audio**

Size: A4 | Date: 2022-05-31  
 KiCad E.D.A. kicad (6.0.5)

**Rev: 1.2c**  
 Id: 5/11



Yellow  
www.nabucasa.com

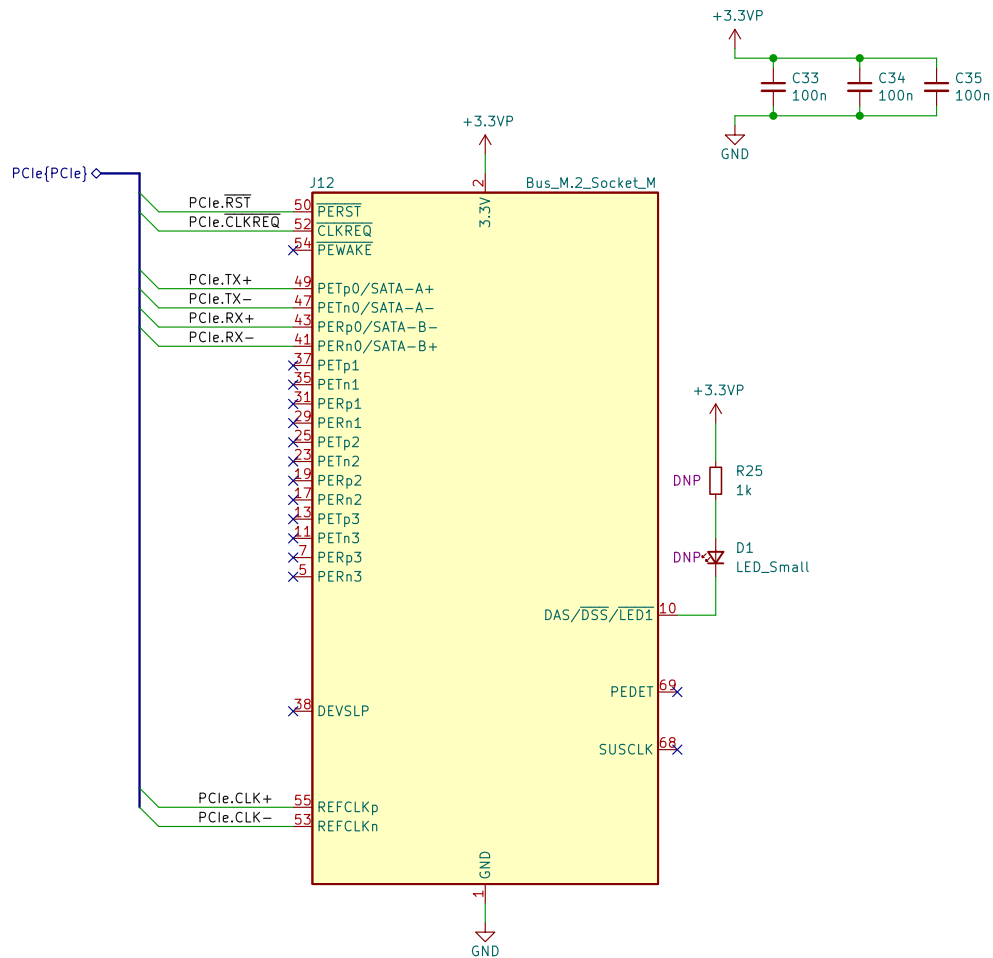
**Nabu Casa**

Sheet: /Ethernet/  
File: Ethernet.kicad\_sch

**Title: Ethernet**

Size: A4 Date: 2022-05-31  
KiCad E.D.A. kicad (6.0.5)

**Rev: 1.2c**  
Id: 6/11



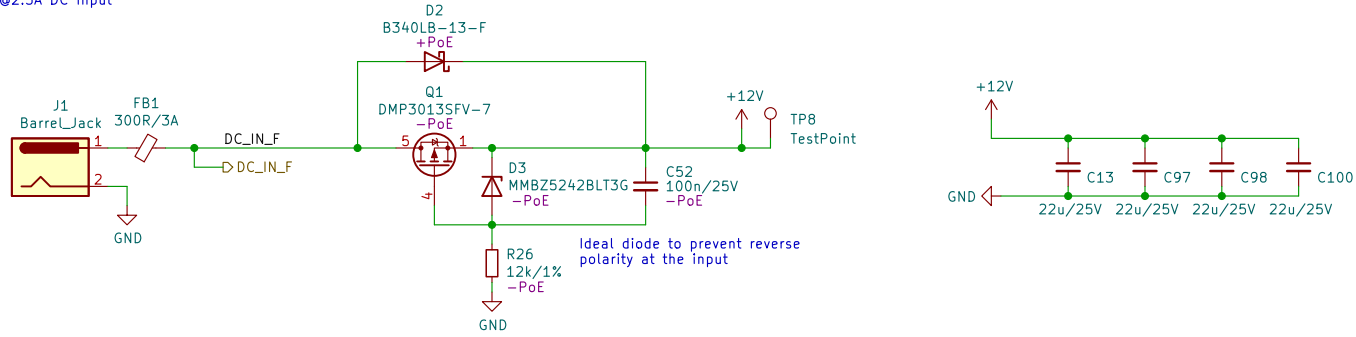
Yellow  
 www.nabucasa.com  
**Nabu Casa**  
 Sheet: /PCIe/  
 File: PCIe.kicad\_sch

**Title: PCIe slot**

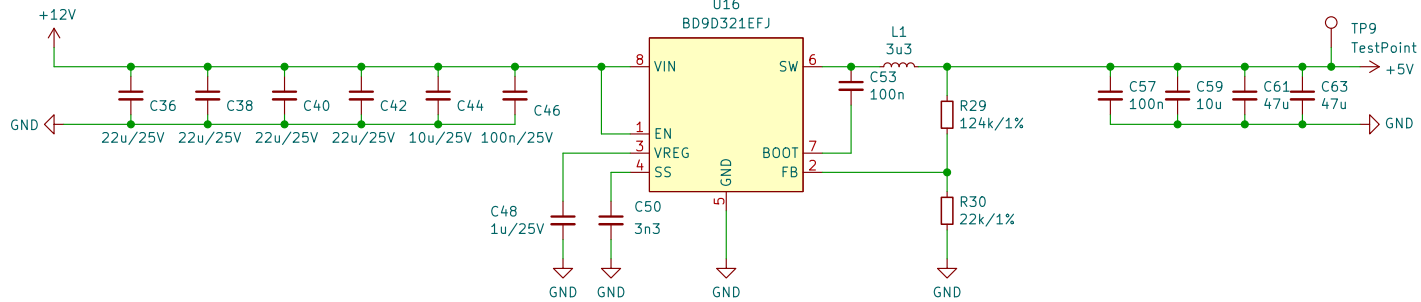
Size: A4 | Date: 2022-05-31  
 KiCad E.D.A. kicad (6.0.5)

**Rev: 1.2c**  
 Id: 7/11

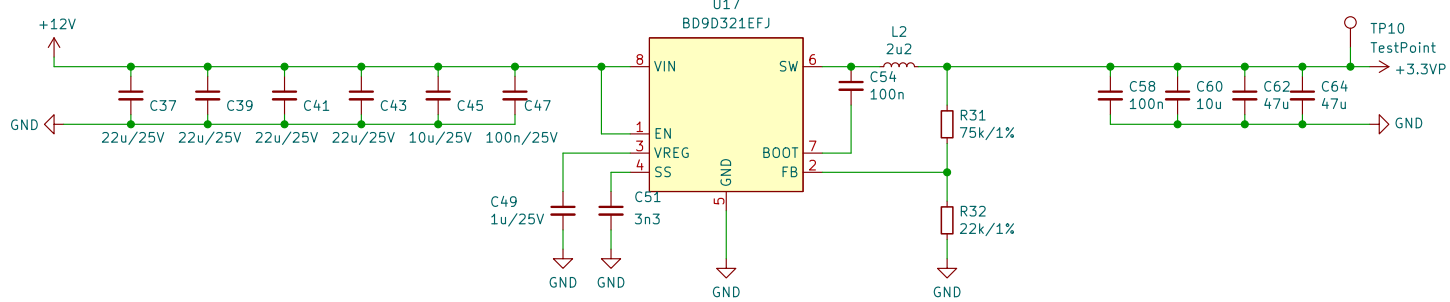
12V@2.5A DC input



5V@3A CM4 and USB A ports supply



3.3V@3A PCIe supply



Yellow  
www.nabucasa.com

**Nabu Casa**

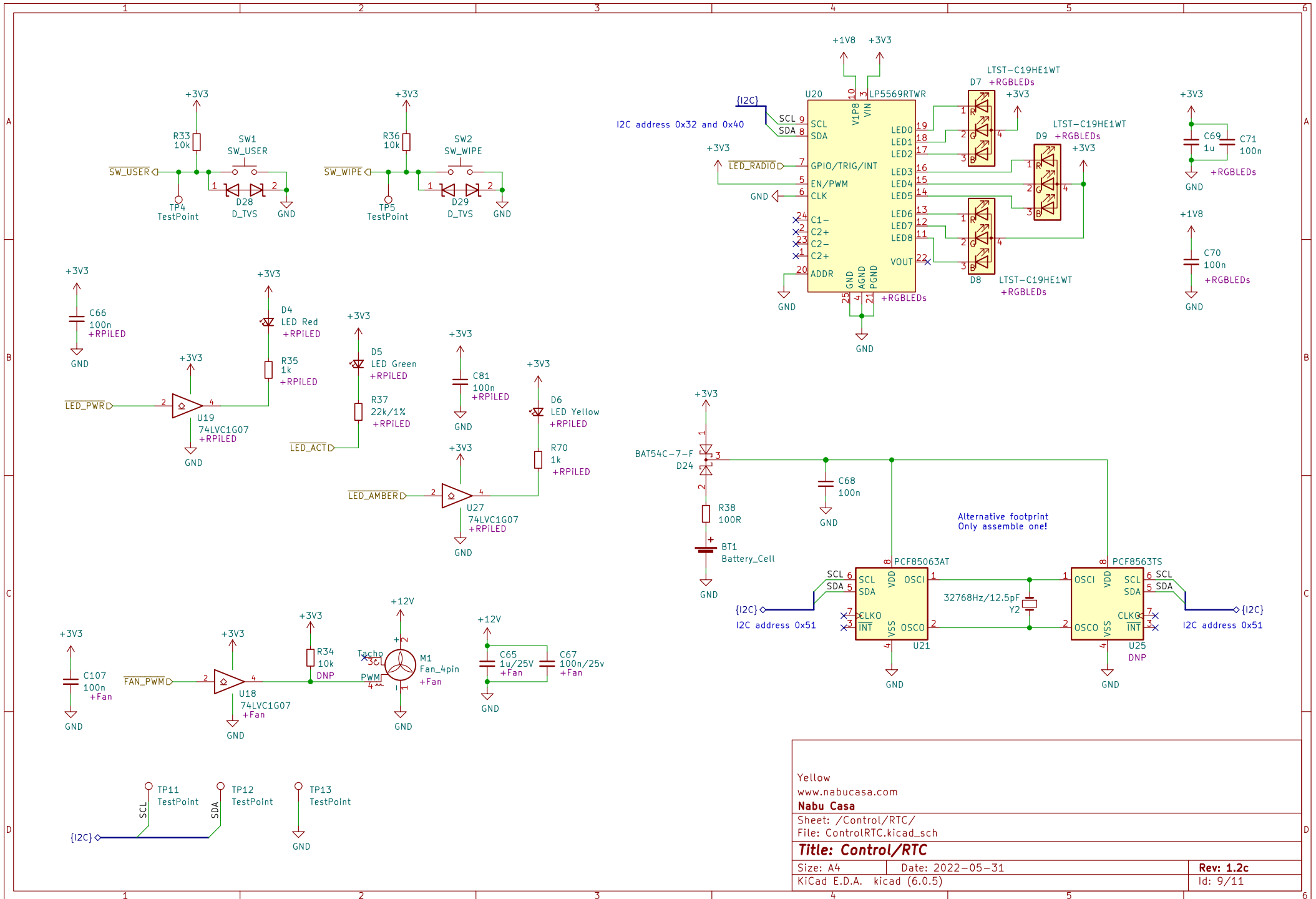
Sheet: /Power/  
File: Power.kicad\_sch

**Title: Power**

Size: A4 Date: 2022-05-31  
KiCad E.D.A. kicad (6.0.5)

**Rev: 1.2c**  
Id: 9/11





Yellow  
www.nabucasa.com

**Nabu Casa**

Sheet: /Control/RTC/  
File: ControlRTC.kicad\_sch

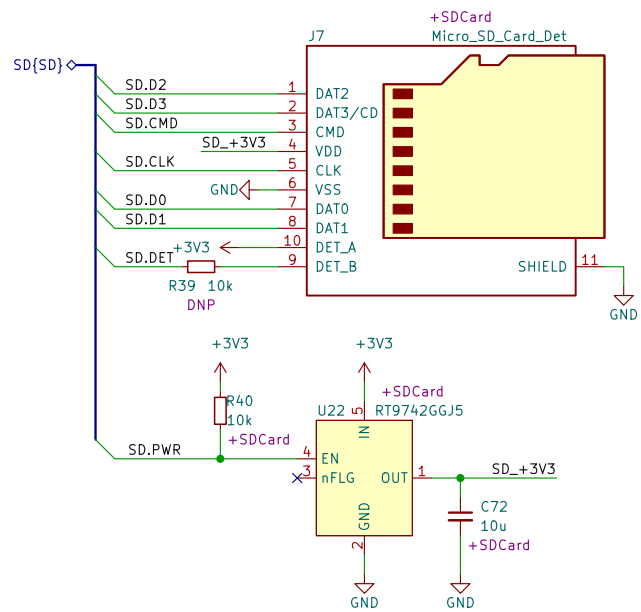
**Title: Control/RTC**

Size: A4 Date: 2022-05-31

KiCad E.D.A. kicad (6.0.5)

Rev: 1.2c

Id: 9/11



Yellow  
[www.nabucasa.com](http://www.nabucasa.com)

**Nabu Casa**

Sheet: /SDCard/  
 File: SDCard.kicad\_sch

**Title: SD card**

Size: A4 Date: 2022-05-31

KiCad E.D.A. kicad (6.0.5)

**Rev: 1.2c**

Id: 10/11

